



Pegasus is the largest format tension banner in the range, ideal for any exhibition environment.

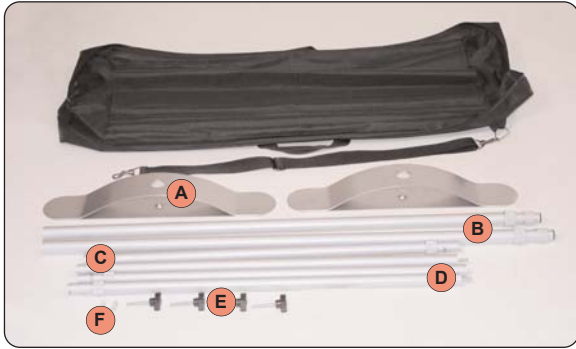
features & benefits

- Telescopic pole with adjustable height and width
- Lightweight components
- Breaks down easily for transportation
- Cost effective
- Silver powdercoated finish

hardware specifications	graphic specifications	additional info
<p>Assembled dimensions (mm) 2510 (h) x 2540 (w) x 430 (d) 99" (h) x 100" (w) x 17" (d)</p> <p>Weight: 6.8kg / 15lbs including bag</p>	<p>Maximum Visible Graphic Dimensions (mm): 2435mm (h) x 2410mm (w) 96" (h) x 95" (w)</p> <p>Minimum Visible Graphic Dimensions (mm): 860mm (h) x 1330mm (w) 34" (h) x 52.5" (w)</p> <p>Maximum Looped Graphic Dimensions (mm): 4900mm (l) x 2410mm (w) 193" (l) x 95" (w)</p> <p>Recommended extra material for loop: 140mm (5.5") approx top and bottom i.e 280mm (11") approx overall (70mm loops)</p>	<p>Substrate: Ideal for fabric graphics</p> <p>Availability: Silver powdercoated, complete with carry bag</p> <p>Horizontal poles are 19mm (0.75") approx in diameter</p>

We are continually improving and modifying our product range and reserve the right to vary the specifications without prior notice. All dimensions and weights quoted are approximate and we accept no responsibility for variance. E&OE.

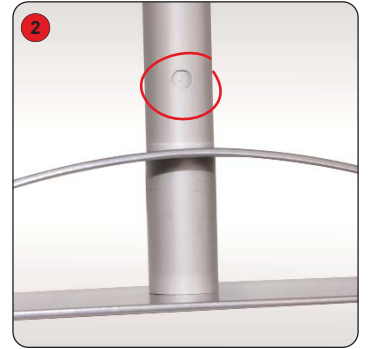
Assembly Instructions



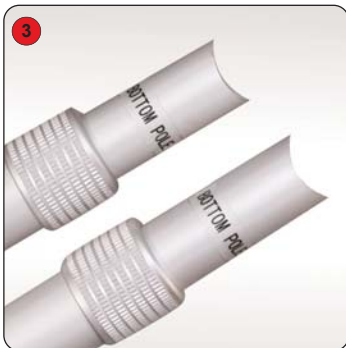
Kit includes: 2 x feet (A), 2 x telescopic upright poles (B), 2 x top rail poles (C) and 2 x bottom rail poles (D), 4 x pole screws (E) and 2 x foot screws (F)



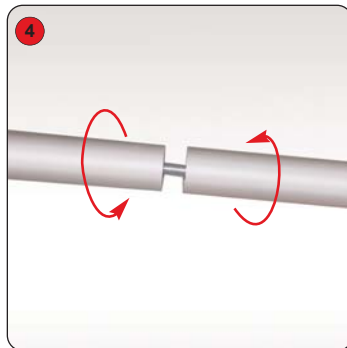
1 Insert a telescopic upright pole (B) through one foot (A) and tighten supplied screw (F) with screwdriver to secure fit



2 Make sure that the mounting hole is facing the long side of each foot. Repeat step 1 and 2 with the other foot and pole.



3 Locate the two top poles (C) and two bottom poles (D) which are labelled accordingly



4 Twist the two top poles together (with the writing appearing at either end). Repeat for the bottom poles



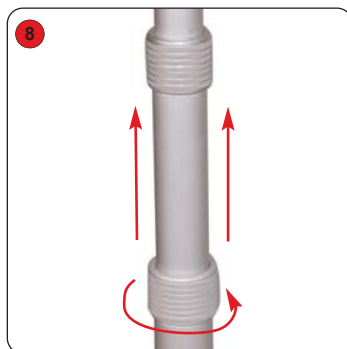
5 Slide the top pole through the looped graphic and adjust length of pole so that at least 50mm is sticking out either end



6 Take one of the pole screws (E) and screw through the upright and into the top rail. Repeat for other end.



7 Slide bottom pole through the bottom of the looped graphic and attach to both uprights with pole screws.



8 To adjust the height of the upright poles so that the graphic fits, twist and pull out each pole as indicated. Twist in the opposite direction to secure.

